

THERMA-TRU[®] DOORS

Fiber-Classic[®] & Smooth-Star[®]

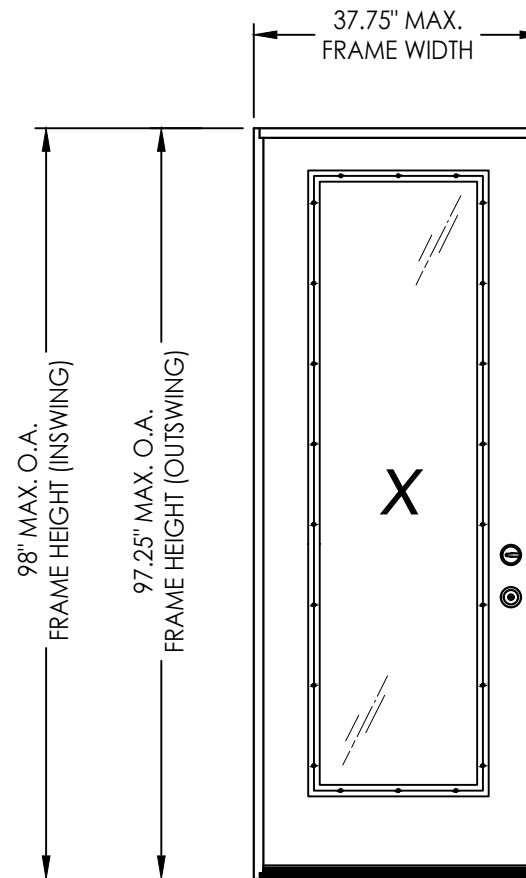
WOOD EDGE GLAZED FIBERGLASS SINGLE DOOR IN SWING/OUT SWING "IMPACT"

GENERAL NOTES

- This product has been evaluated and is in compliance with the 8th Edition (2023) Florida Building Code (FBC) structural requirements excluding the "High Velocity Hurricane Zone" (HVHZ).
- Product anchors shall be as listed and spaced as shown on details. Anchor embedment to base material shall be beyond wall dressing or stucco.
- When used in areas requiring wind borne debris protection this product complies with FBC Sections 1609.1.2 & R301.2.1.2 and does not require an impact resistant covering. This product meets missile level "D" and includes Wind Zone 4 as defined in ASTM E1996 and FBC Sections 1609.1.2.2 & R301.2.1.2.1.
- For 2x stud framing construction, anchoring of these units shall be the same as that shown for 2x buck masonry construction.
- Site conditions that deviate from the details of this drawing require further engineering analysis by a licensed engineer or registered architect.
- Fiber-Classic & Smooth-Star Door panel require the use of "J" part numbers and must be stained or painted within six months of installation.

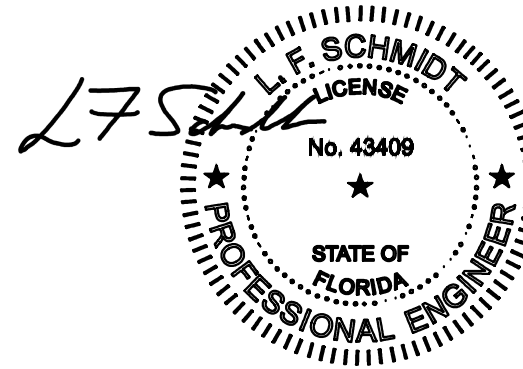
TABLE OF CONTENTS

SHEET#	DESCRIPTION
1	Typical Elevations, Design Pressures & General Notes
2	Door Panel Details
3	Elevations
4	Horizontal & Vertical Cross Sections (2X Buck)
5	Horizontal & Vertical Cross Sections (1X Buck)
6	Horizontal & Vertical Cross Sections (Direct to Masonry)
7	Vertical Cross Sections (Thresholds)
8	Buck & Frame Anchoring
9	Hardware Details
10	Glazing Details
11	Components
12	Components & Bill of Materials



CONFIGURATION	DESIGN PRESSURE (PSF) IN SWING		DESIGN PRESSURE (PSF) OUT SWING	
	POSITIVE	NEGATIVE	POSITIVE	NEGATIVE
X	+50.0	-50.0	+50.0	-50.0

See Sheet 3 for Hardware Specifications



This item has been digitally signed and sealed by L. F. Schmidt, P.E. on the date adjacent to the seal. Printed copies of this document are not considered signed and sealed and the signature must be verified on any electronic copies.

THIS PRODUCT APPROVAL IS VALID ONLY FOR THE STATE OF FLORIDA

Documents Prepared By:
Lyndon F. Schmidt
P.E. No. 43409

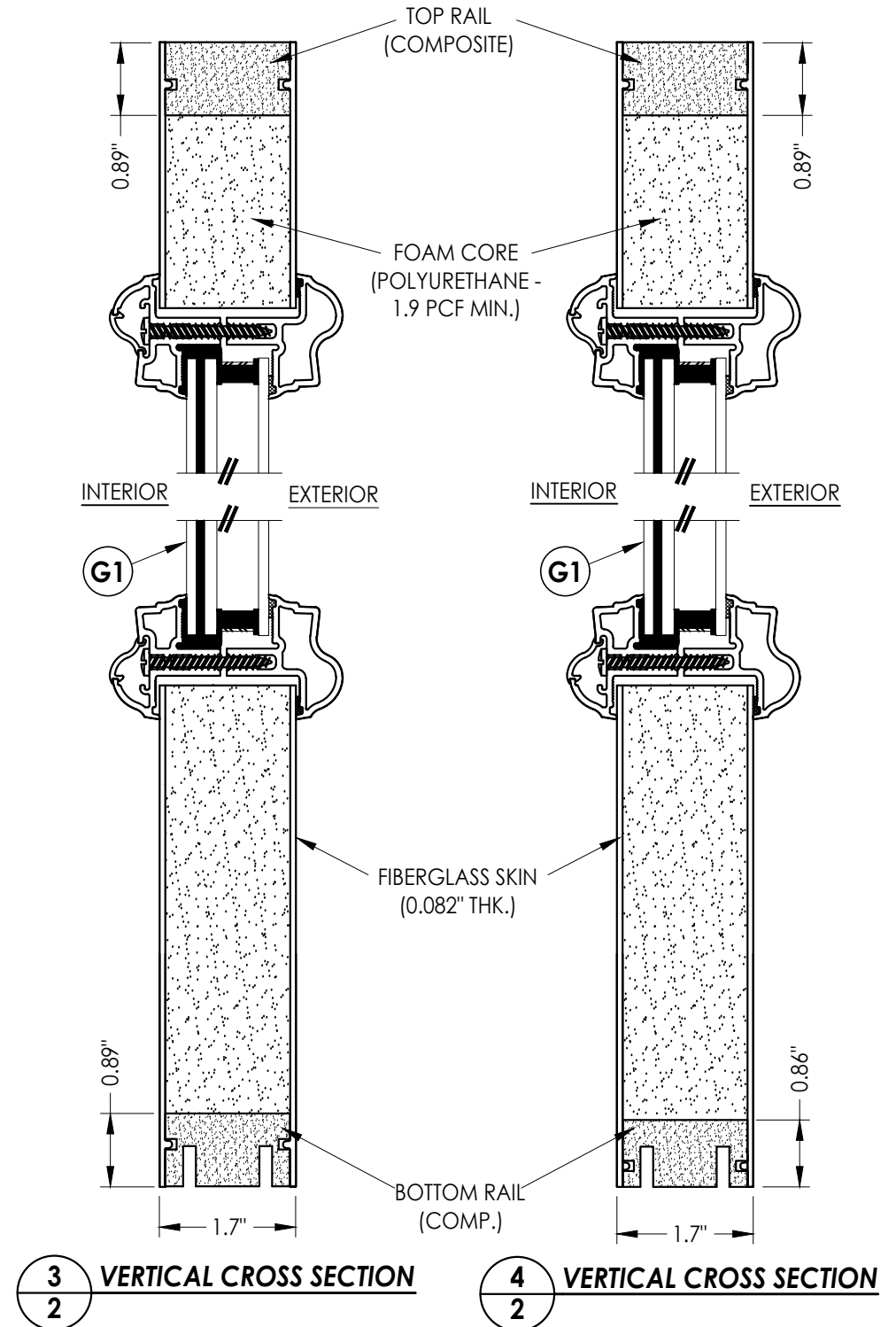
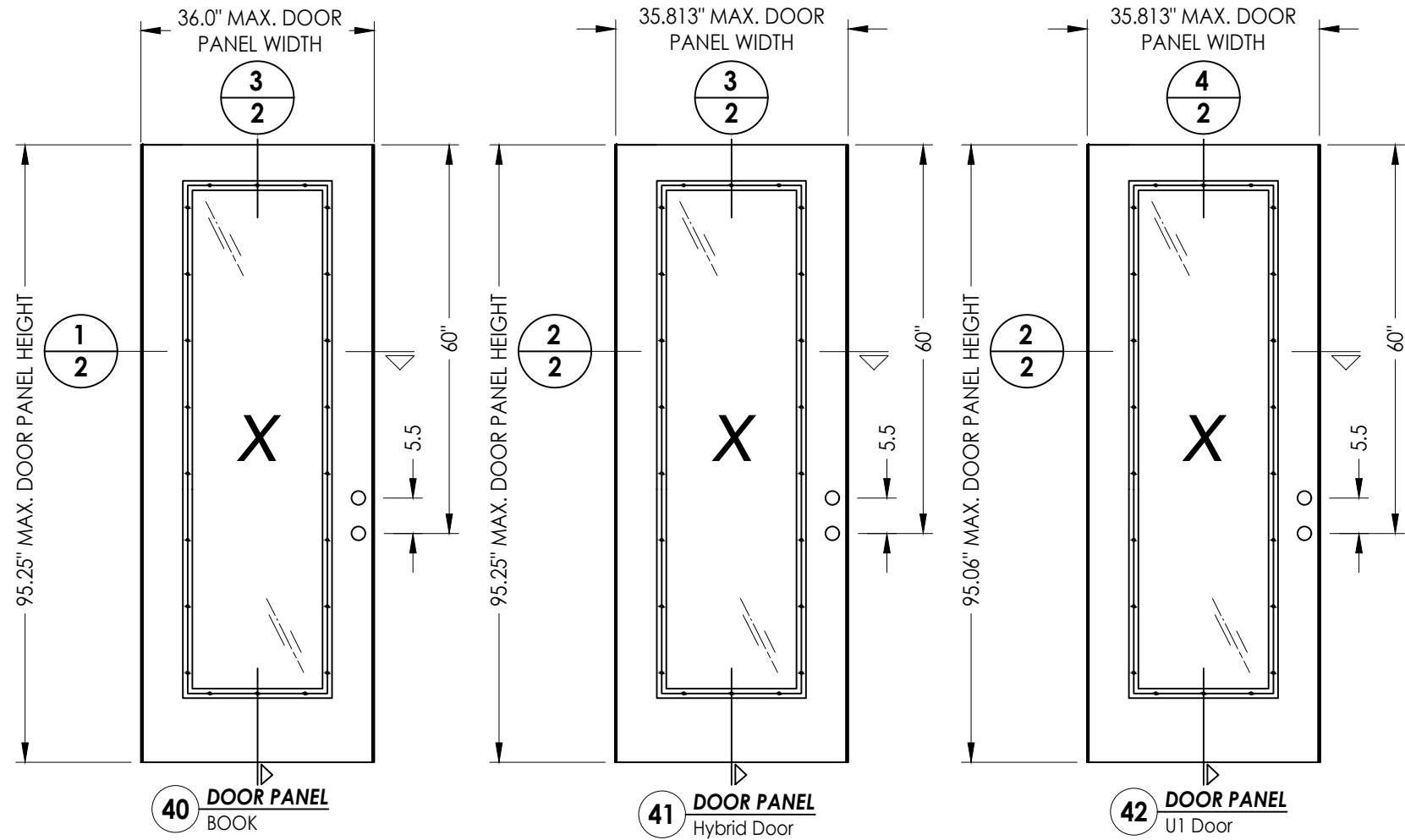
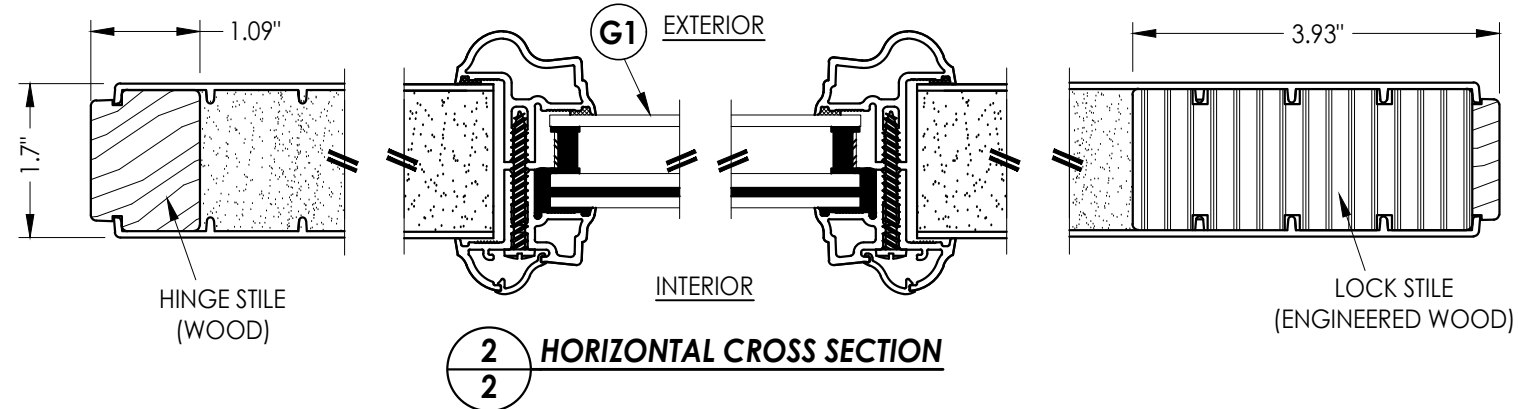
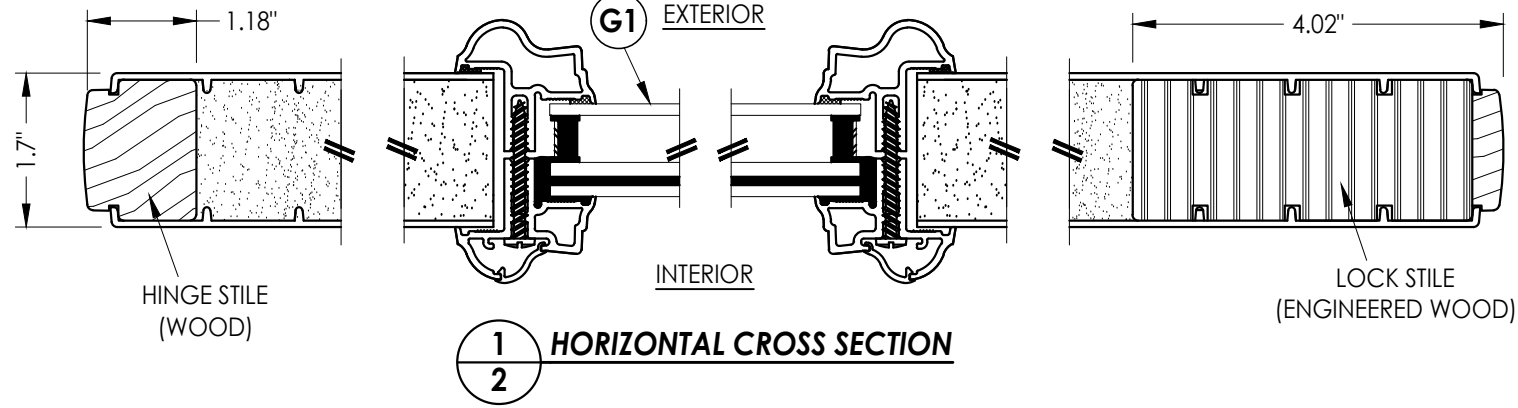
RW BUILDING CONSULTANTS, INC.
P.O. Box 230, Valrico, FL 33595
Phone No.: 813.659.9197
FBPE Registry No. 9813

PRODUCT: THERMA-TRU
FIBERGLASS DOOR
PART OR ASSEMBLY:
TYPICAL ELEVATION, DESIGN
PRESSURES & GENERAL NOTES

NO.	DATE	REVISIONS
4	8/22/23	UPDATE TO 8TH ED. (2023) FBC
3	7/16/20	UPDATE TO 7th ED (2020) FBC
2	10/09/18	REV. DOOR PANEL OPTION NOTE
1	10/15/17	ADD DEADBOLT 5-1/2" O. C. AND RECESSED PANEL NOTATION
		BY JK

DATE: 12/19/16
SCALE: N.T.S.
DWG. BY: JK
CHK. BY: LFS
DRAWING NO.: FL-21138.10
SHEET 1 OF 12

Z:\2023 FBC Drawings\Therma-Tru\FL-21138 R7\FL-21138.10-12.dwg



Documents Prepared By:
Lyndon F. Schmidt
P.E. No. 43409

RW BUILDING CONSULTANTS, INC.
P.O. Box 230, Valrico, FL 33595
Phone No.: 813.659.9197
FBPE Registry No. 9813

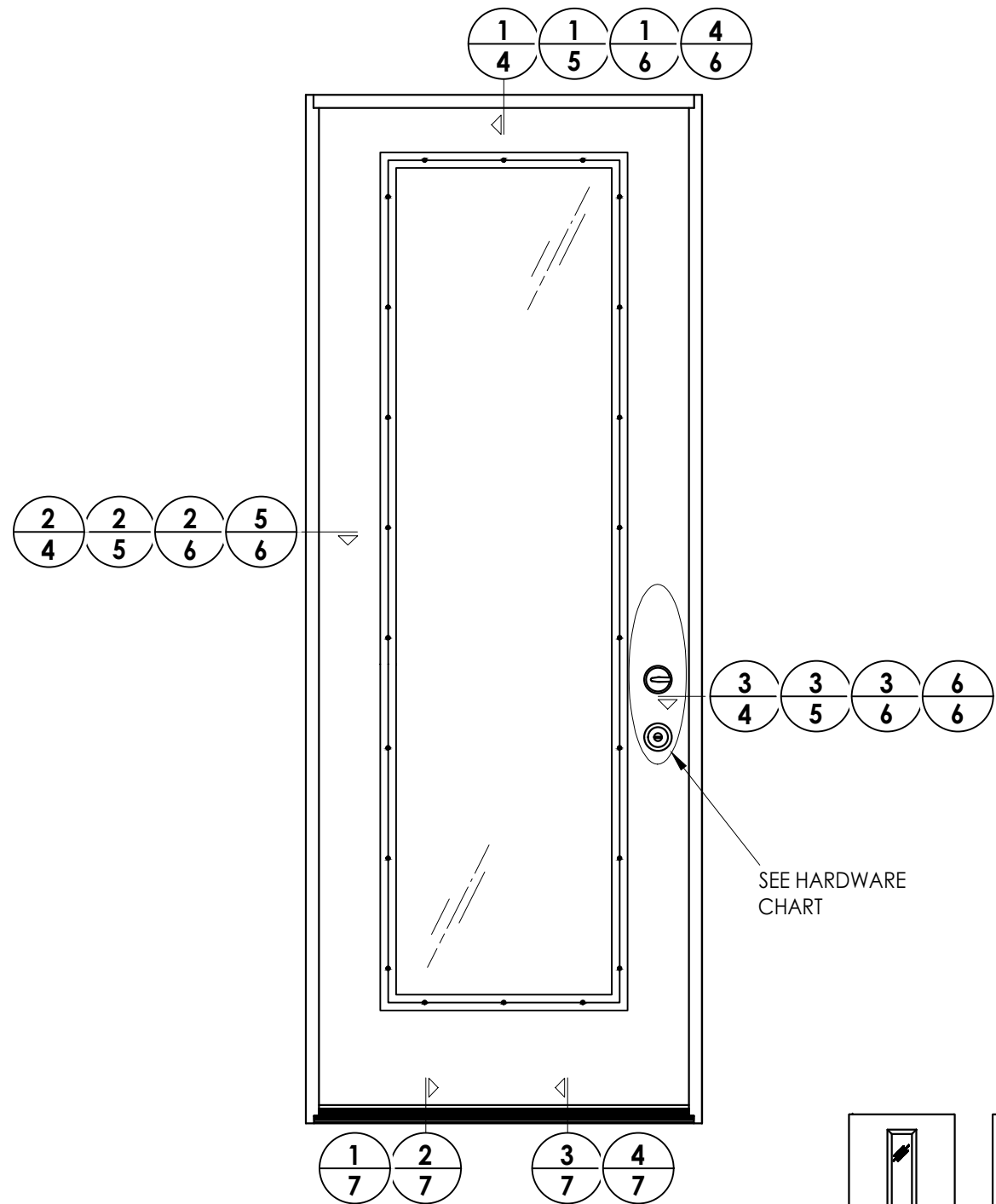
PRODUCT:
THERMA-TRU
FIBERGLASS DOOR

PART OR ASSEMBLY:
DOOR PANEL DETAILS

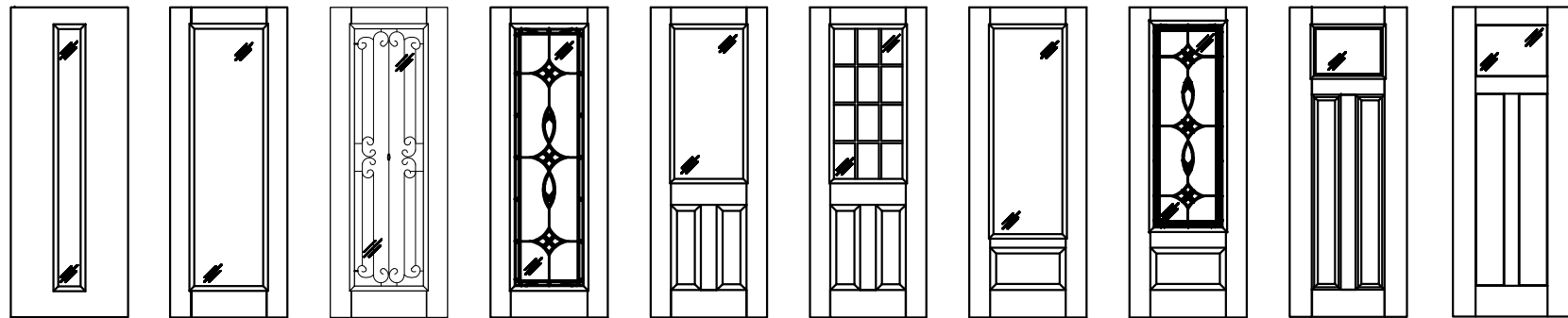
NO.	DATE	REVISIONS
4	8/22/23	UPDATE TO 8TH ED. (2023) FBC
3	7/16/20	UPDATE TO 7th ED (2020) FBC
2	10/09/18	REV. DOOR PANEL OPTION NOTE
1	10/15/17	ADD DEADBOLT 5-1/2" O. C. AND RECESSED PANEL NOTATION

DATE: 12/19/16
SCALE: N.T.S.
DWG. BY: JK
CHK. BY: LFS
DRAWING NO.: FL-21138.10
SHEET 2 OF 12

© 2016 R.W. BUILDING CONSULTANTS INC.



HARDWARE TABLE	
MANUFACTURER	MODEL
SCHLAGE	KNOB: F51 DEADBOLT: B60
KWIKSET	KNOB: SIGNATURE SERIES DEADBOLT: SIGNATURE SERIES (980)
HOPPE (THERMA-TRU)	MULTIPOINT : MPDGART (3 pt. Manual Tongue)



Fiber-Classic/Smooth-Star Door Panel Options

Products approved include all embossed and recessed panel doors.
 Similar glazed panel configurations are allowed.
 Panels shown are for illustration and are representative only.

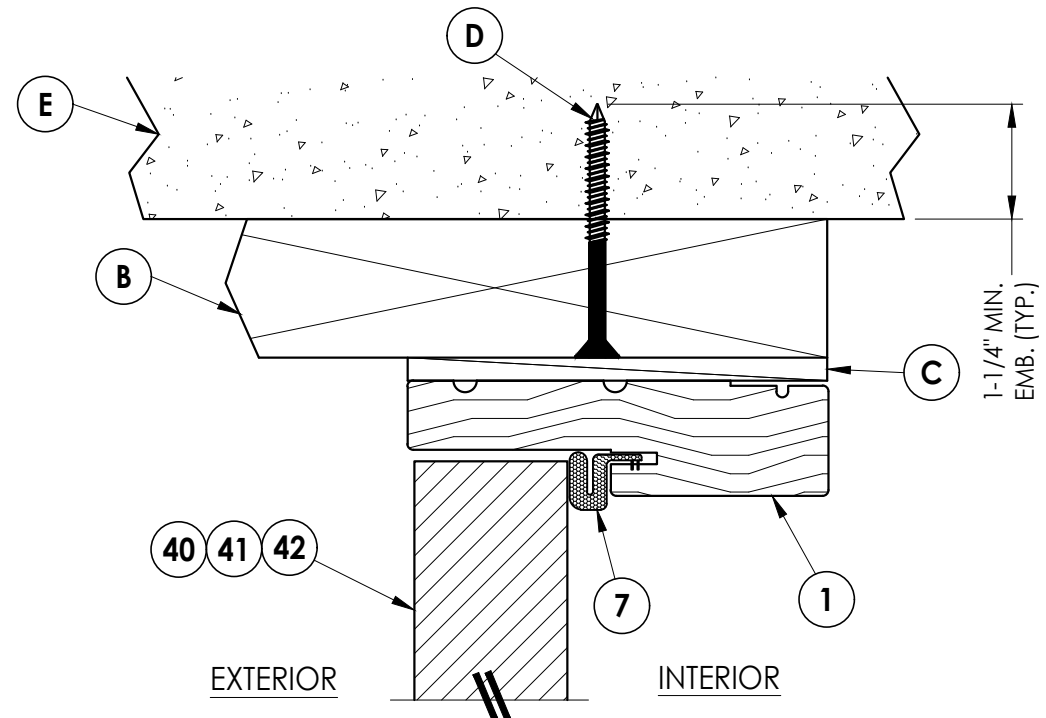
NO.	DATE	REVISIONS
4	8/22/23	UPDATE TO 8TH ED. (2023) FBC
3	7/16/20	UPDATE TO 7th ED (2020) FBC
2	10/09/18	REV. DOOR PANEL OPTION NOTE
1	10/15/17	ADD DEADBOLT 5-1/2" O. C. AND RECESSED PANEL NOTATION

DATE: 12/19/16
 SCALE: N.T.S.
 DWG. BY: JK
 CHK. BY: LFS
 DRAWING NO.: FL-21138.10
 SHEET 3 OF 12

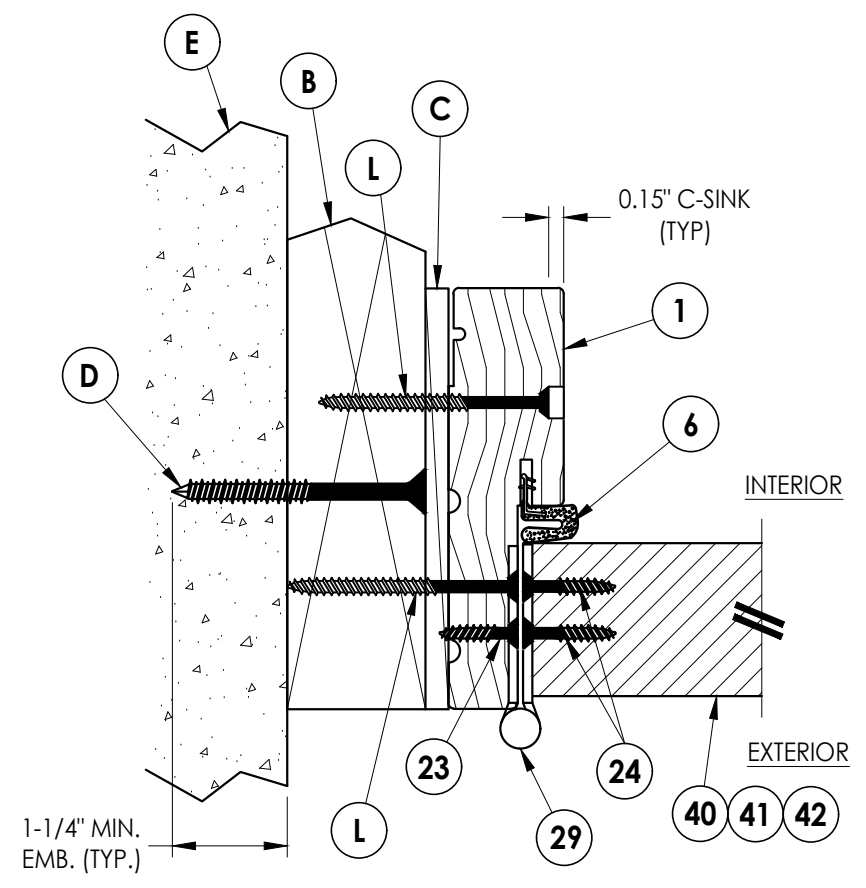
PRODUCT: THERMA-TRU FIBERGLASS DOOR
 PART OR ASSEMBLY: ELEVATIONS

Documents Prepared By:
 Lyndon F. Schmidt
 P.E. No. 43409

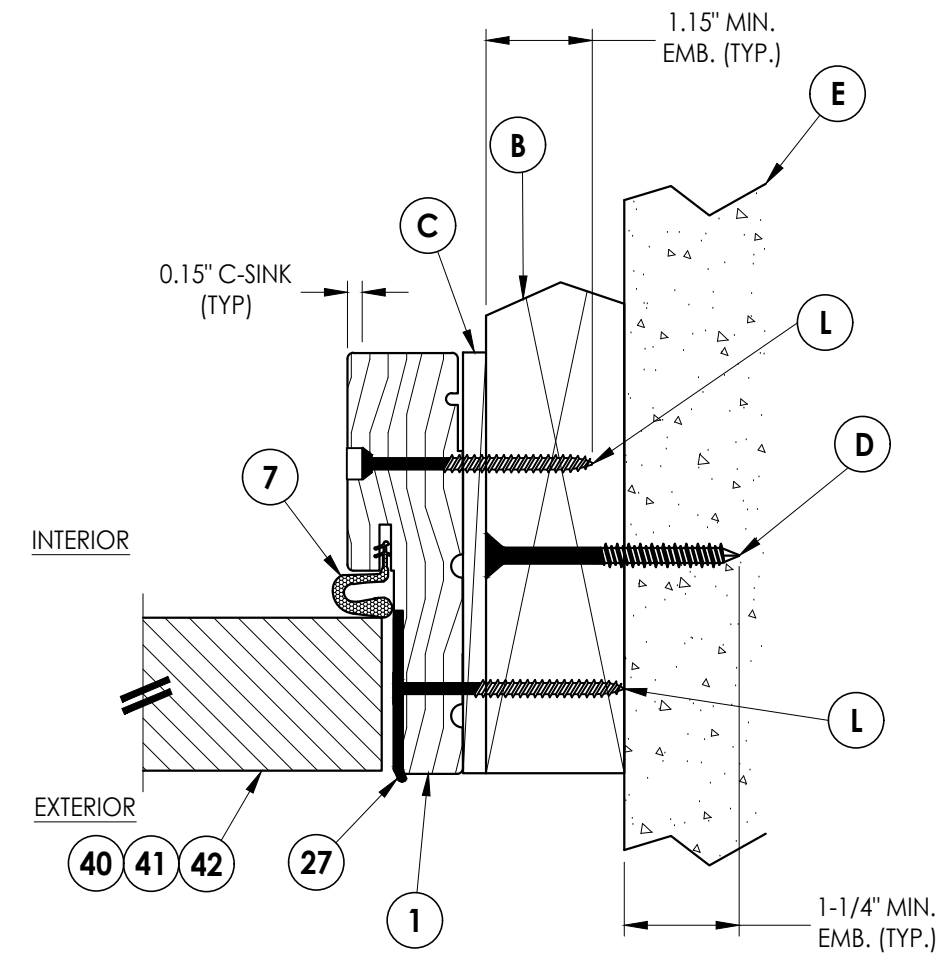
 R.W. BUILDING CONSULTANTS, INC.
 P.O. Box 230, Valrico, FL 33595
 Phone No.: 813.659.9197
 FBPE Registry No. 9813



1 VERTICAL CROSS SECTION
4 Shown w/ 2X Buck
 Outswing shown (Inswing similar)



2 HORIZONTAL CROSS SECTION
4 Shown w/ 2X Buck
 Outswing shown (Inswing similar)



3 HORIZONTAL CROSS SECTION
4 Shown w/ 2X Buck
 Outswing shown (Inswing similar)

Documents Prepared By:
 Lyndon F. Schmidt
 P.E. No. 43409

RW BUILDING CONSULTANTS, INC.
 P.O. Box 230, Valrico, FL 33595
 Phone No.: 813.659.9197
 FBPE Registry No. 9813

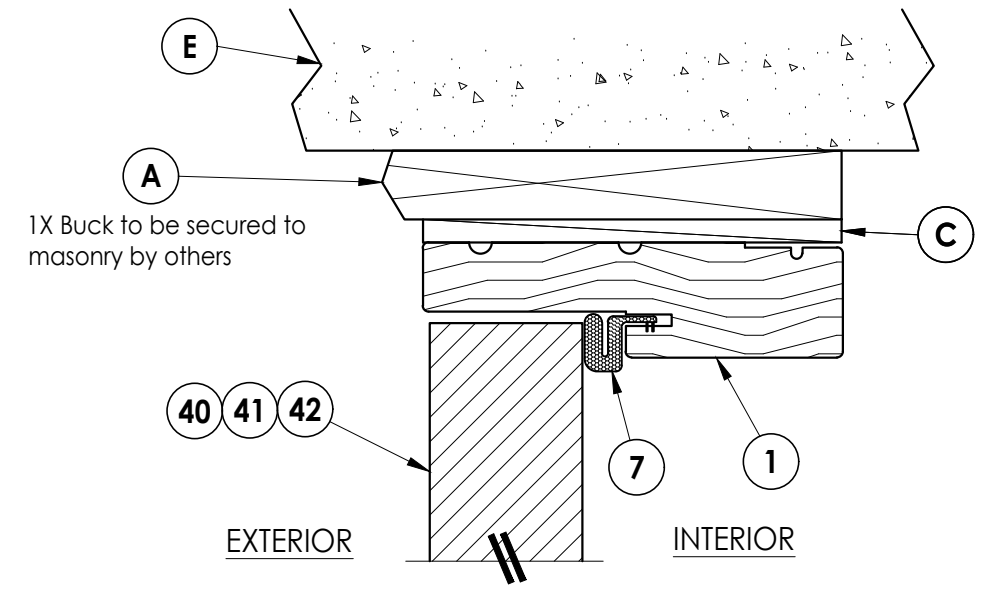
PRODUCT:
 THERMA-TRU
 FIBERGLASS DOOR

PART OR ASSEMBLY:
 HORIZONTAL & VERTICAL
 CROSS SECTIONS (2X BUCK)

NO.	DATE	REVISIONS	BY
4	8/22/23	UPDATE TO 8TH ED. (2023)	LFS
3	7/16/20	UPDATE TO 7th ED (2020)	PO
2	10/09/18	REV. DOOR PANEL OPTION NOTE	MT
1	10/15/17	ADD DEADBOLT 5-1/2" O. C. AND RECESSED PANEL NOTATION	JK

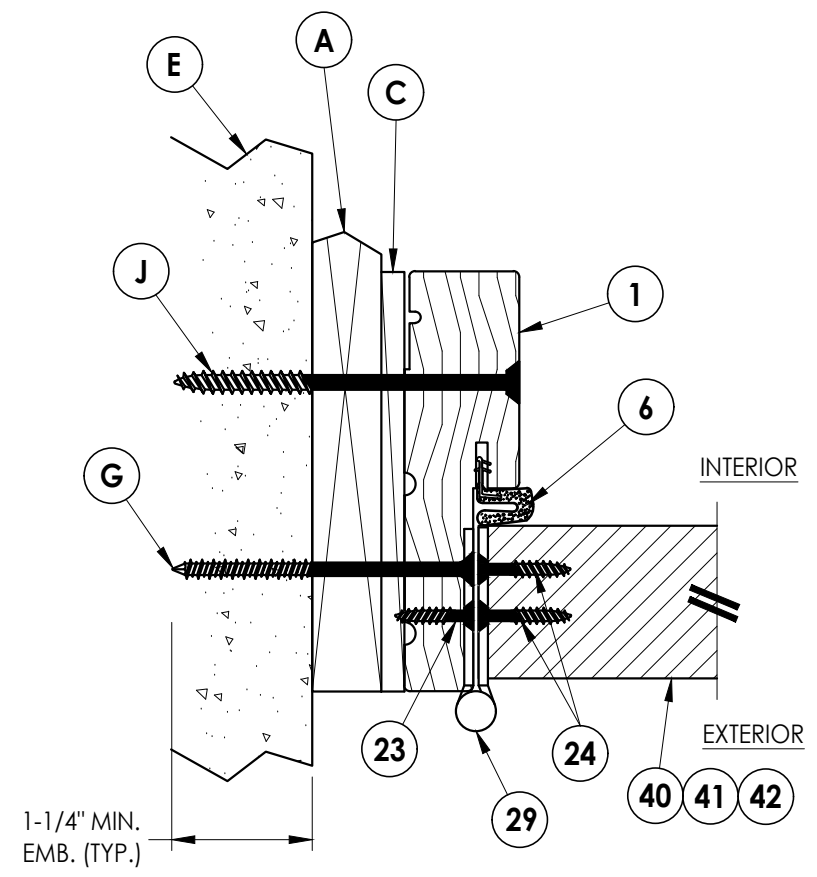
DATE: 12/19/16
 SCALE: N.T.S.
 DWG. BY: JK
 CHK. BY: LFS
 DRAWING NO.: FL-21138.10
 SHEET 4 OF 12

Z:\2023 FBC Drawings\Therma-Tru\FL-21138 R7\FL-21138.10-12.dwg

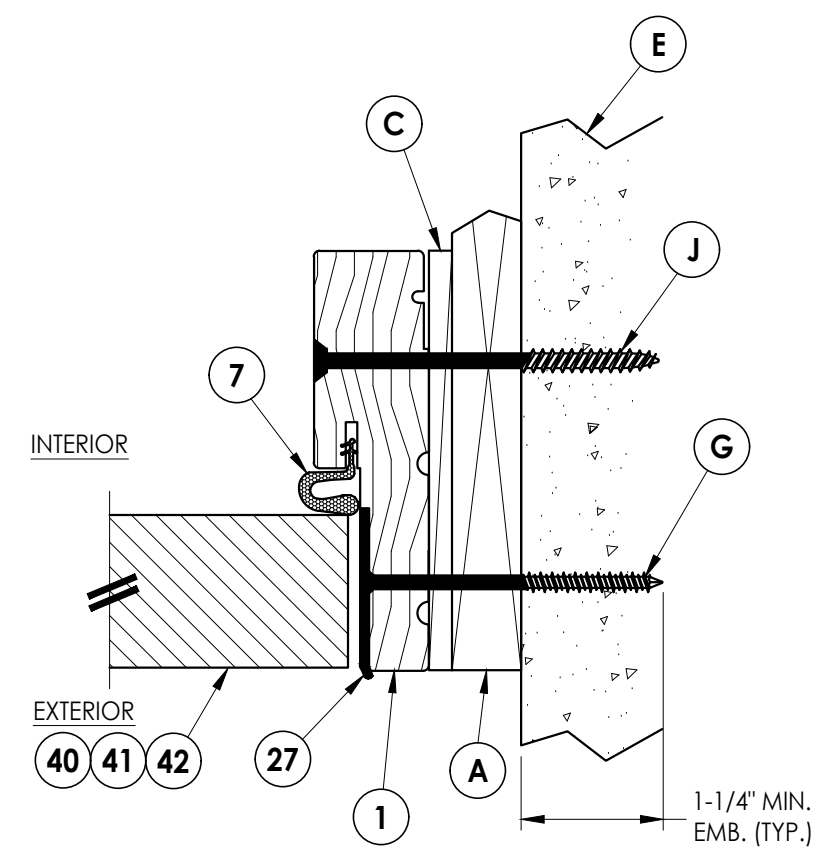


1X Buck to be secured to masonry by others

1 VERTICAL CROSS SECTION
5 Shown w/ 1X sub-buck
 Outswing shown (Inswing similar)



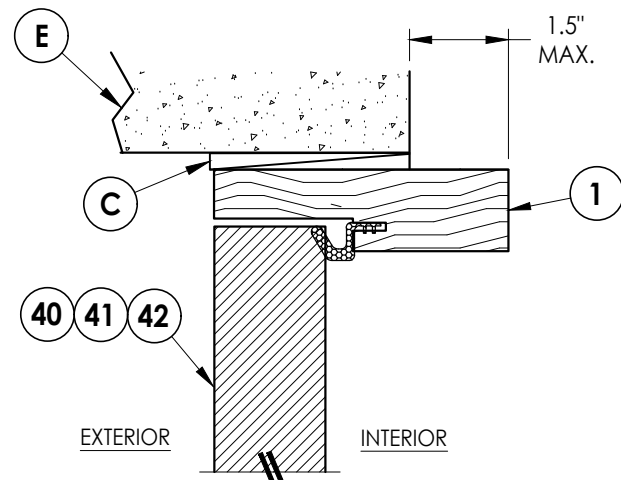
2 HORIZONTAL CROSS SECTION
5 Shown w/ 1X sub-buck
 Outswing shown (Inswing similar)



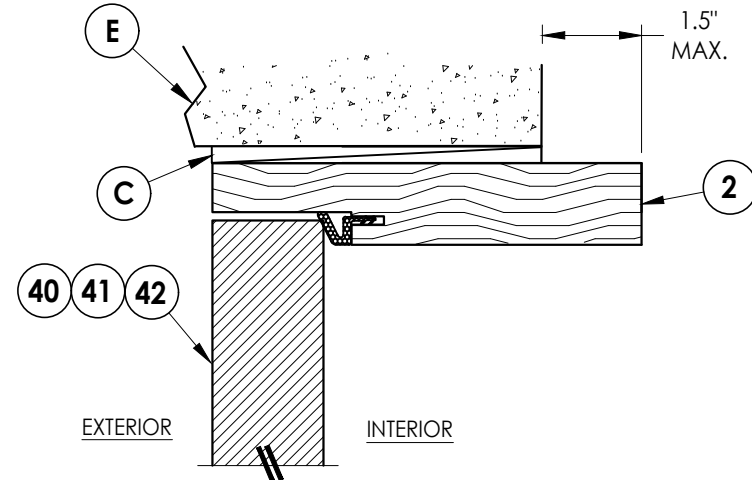
3 HORIZONTAL CROSS SECTION
5 Shown w/ 1X sub-buck
 Outswing shown (Inswing similar)

Documents Prepared By: Lyndon F. Schmidt P.E. No. 43409		 BUILDING CONSULTANTS, INC. P.O. Box 230, Valrico, FL 33595 Phone No.: 813.659.9197 FBPE Registry No. 9813	
PRODUCT: THERMA-TRU FIBERGLASS DOOR		PART OR ASSEMBLY: HORIZONTAL & VERTICAL CROSS SECTIONS (1X BUCK)	
4	8/22/23	UPDATE TO 8TH ED. (2023)	LFS
3	7/16/20	UPDATE TO 7th ED (2020)	PO
2	10/09/18	REV. DOOR PANEL OPTION NOTE	MT
1	10/15/17	ADD DEADBOLT 5-1/2" O. C. AND RECESSED PANEL NOTATION	JK
NO.	DATE		BY
			REVISIONS
DATE: 12/19/16			
SCALE: N.T.S.			
DWG. BY: JK			
CHK. BY: LFS			
DRAWING NO.: FL-21138.10			
SHEET 5 OF 12			

© 2016 R.W. BUILDING CONSULTANTS INC.

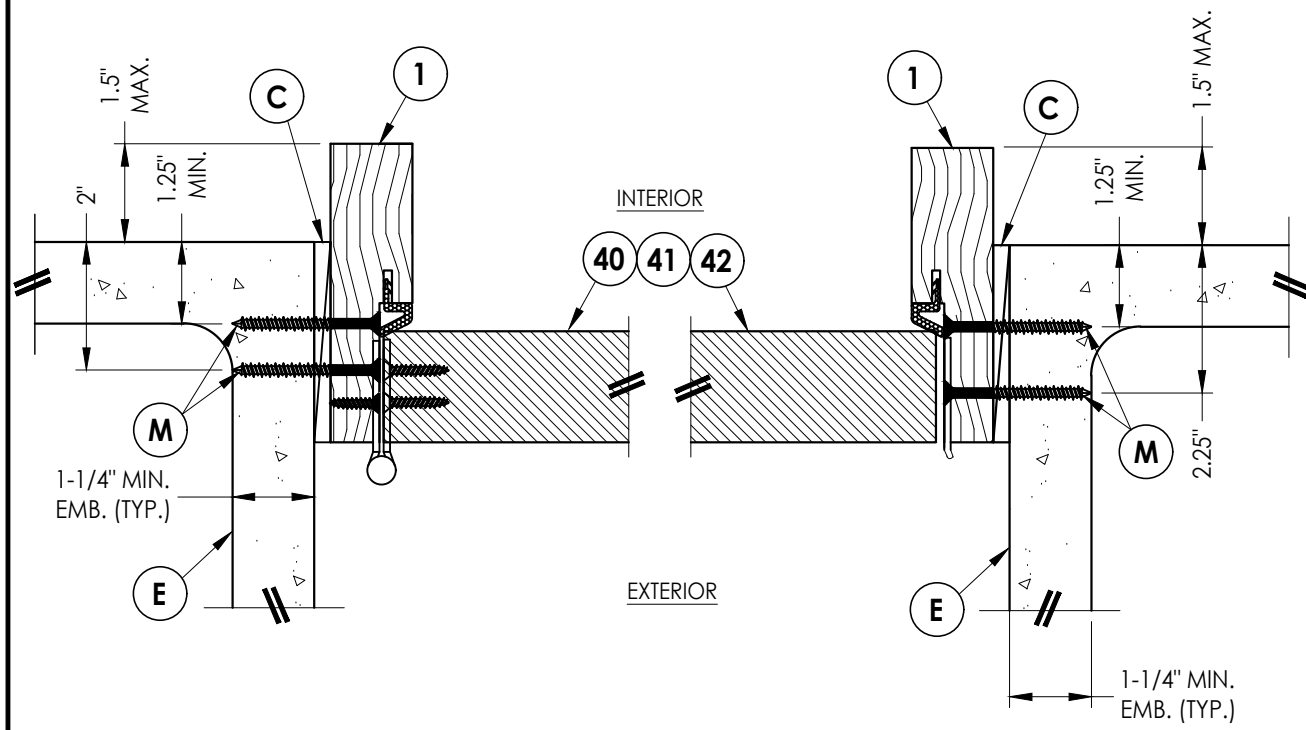


1 **VERTICAL CROSS SECTION**
6 Shown Direct to Masonry
 Outswing only w/ 4-9/16" jamb



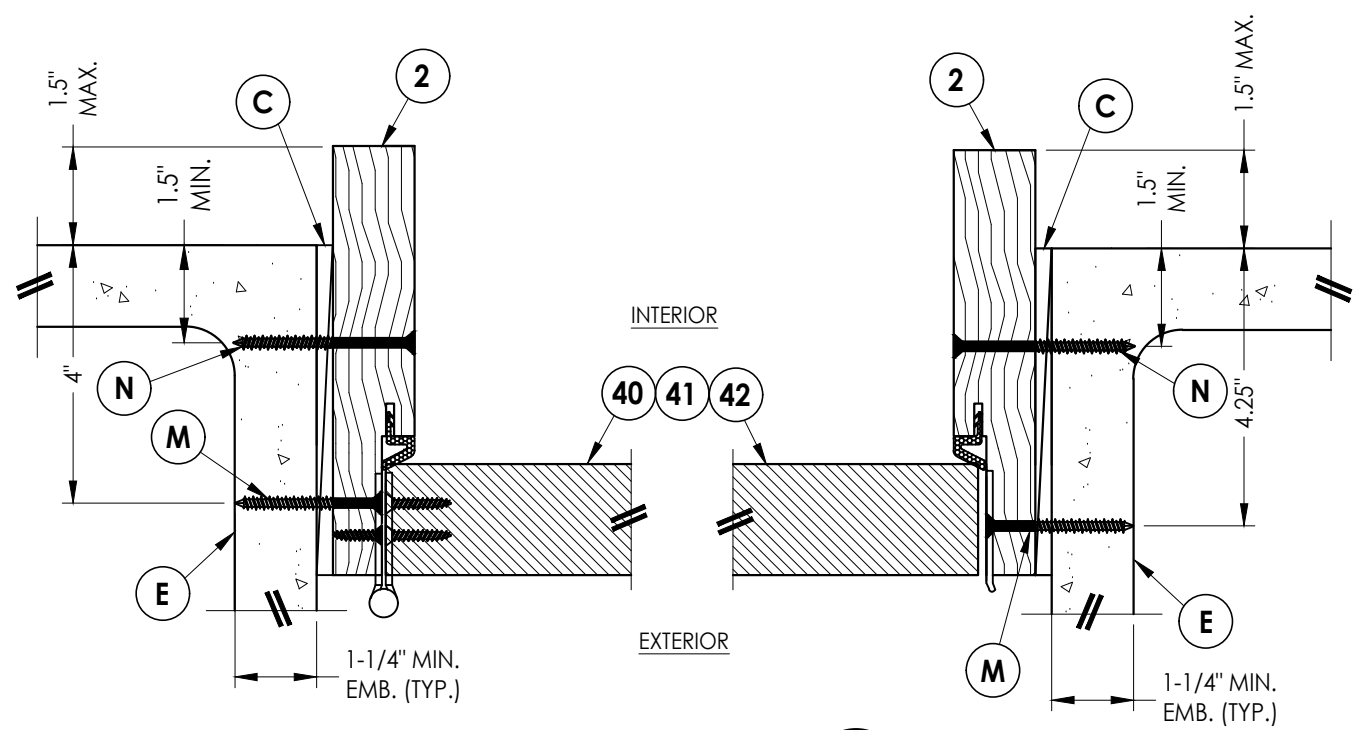
4 **VERTICAL CROSS SECTION**
6 Shown Direct to Masonry
 Outswing only w/ 6-9/16" jamb

DIRECT TO MASONRY MAX. DESIGN PRESSURE:
 w/ STANDARD STRIKE = ± 47 PSF
 w/ SECURITY STRIKE = ± 50 PSF



2 **HORIZONTAL CROSS SECTION**
6 Shown Direct to Masonry
 Outswing only w/ 4-9/16" jamb

3 **HORIZONTAL CROSS SECTION**
6 Shown Direct to Masonry
 Outswing only w/ 4-9/16" jamb



5 **HORIZONTAL CROSS SECTION**
6 Shown Direct to Masonry
 Outswing only w/ 6-9/16" jamb

6 **HORIZONTAL CROSS SECTION**
6 Shown Direct to Masonry
 Outswing only w/ 6-9/16" jamb

Documents Prepared By:
 Lyndon F. Schmidt
 P.E. No. 43409

RW BUILDING CONSULTANTS, INC.
 P.O. Box 230, Valrico, FL 33595
 Phone No.: 813.659.9197
 FBPE Registry No. 9813

PRODUCT: THERMA-TRU FIBERGLASS DOOR

PART OR ASSEMBLY: HORIZONTAL & VERTICAL SECTIONS (DIRECT TO MASONRY)

NO.	DATE	REVISIONS
4	8/22/23	UPDATE TO 8TH ED. (2023) FBC
3	7/16/20	UPDATE TO 7th ED (2020) FBC
2	10/09/18	REV. DOOR PANEL OPTION NOTE
1	10/15/17	ADD DEADBOLT 5-1/2" O. C. AND RECESSED PANEL NOTATION

DATE: 12/19/16

SCALE: N.T.S.

DWG. BY: JK

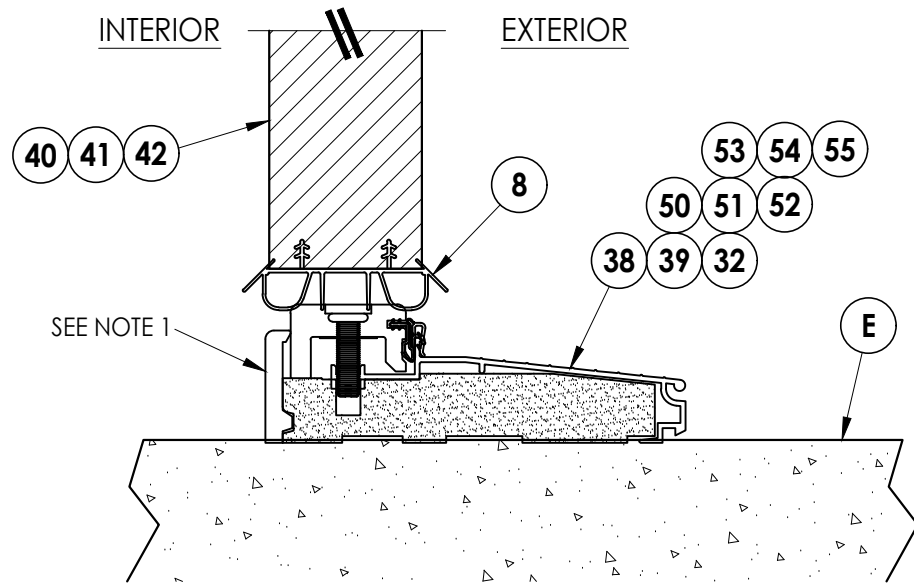
CHK. BY: LFS

DRAWING NO.: FL-21138.10

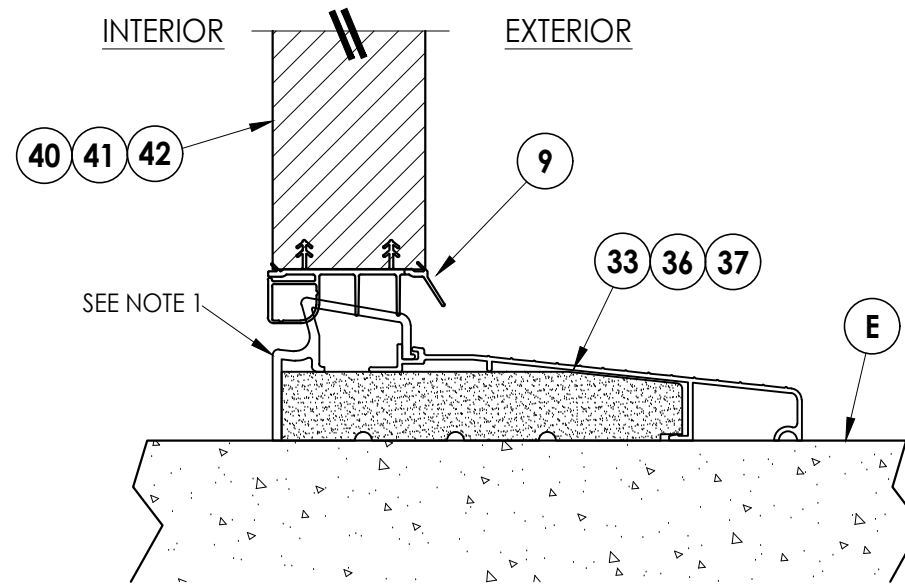
SHEET 6 OF 12

Notes:

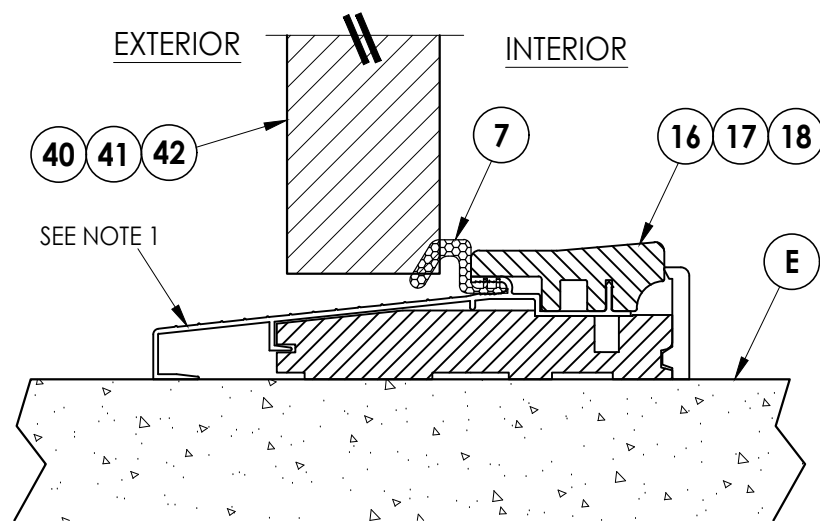
- Sill Item #'s 16, 32, 33, 36, 37, 38, 39, 50, 51, 52, 53, 54 & 55 are attached to jambs w/ (3) #8 X 2-1/2" pfh screws or (3) 2.5" staples at each end.
- Sill Item #'s 17 & 18 are attached to jambs w/ (2) #8 X 2-1/2" pfh screws at each end.
- Sill Item #15 is attached to jambs utilizing (2) #10 X 2" pph SMS screws at each end.



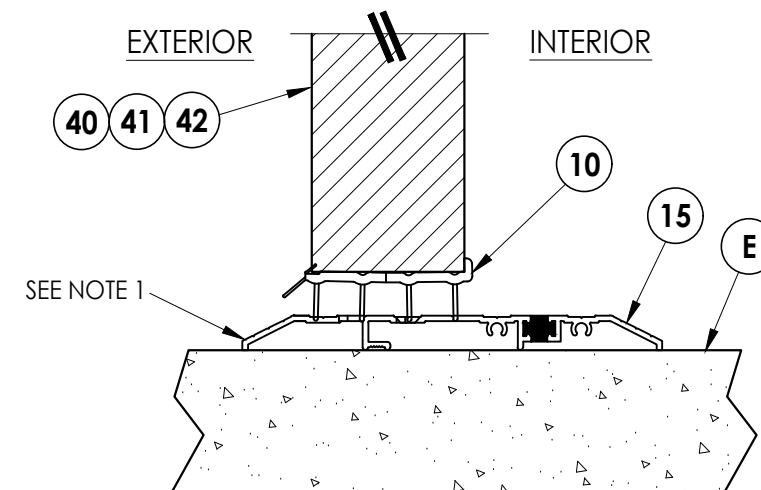
1 VERTICAL CROSS SECTION
7 Inswing Sill



2 VERTICAL CROSS SECTION
7 Inswing Sill



3 VERTICAL CROSS SECTION
7 Outswing Sill



4 VERTICAL CROSS SECTION
7 Public Access Sill

Documents Prepared By:
Lyndon F. Schmidt
P.E. No. 43409

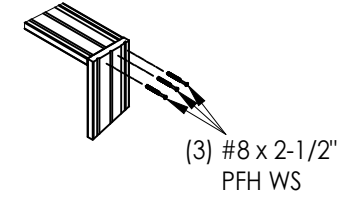
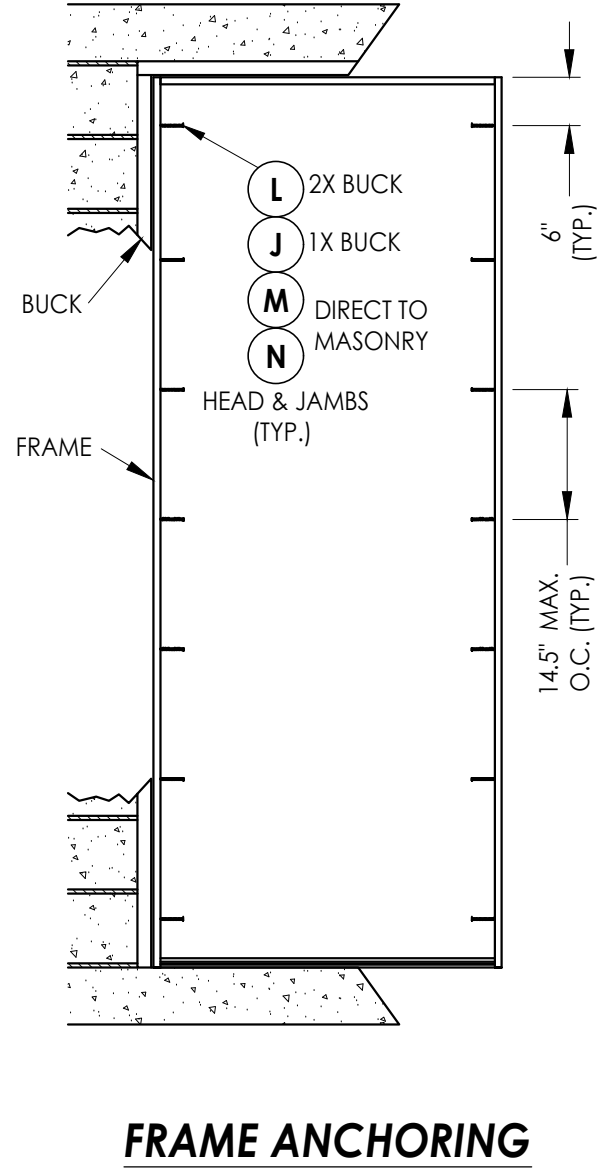
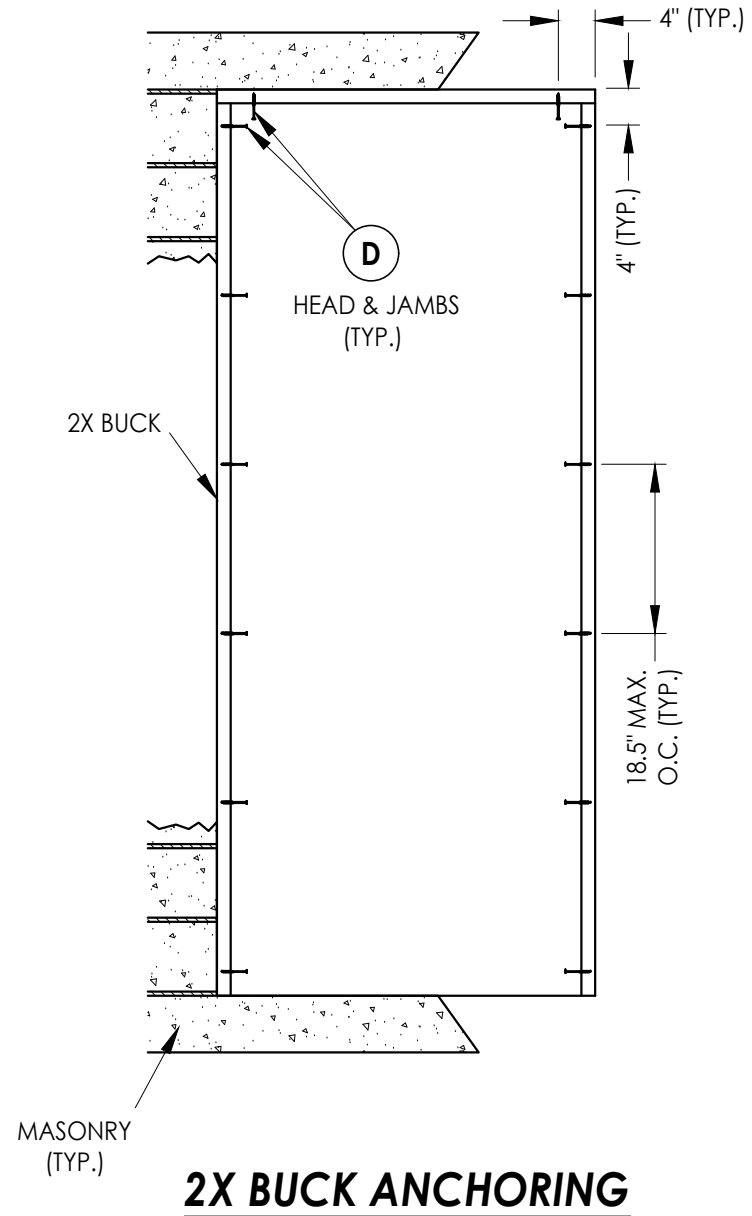
RW BUILDING CONSULTANTS, INC.
P.O. Box 230, Valrico, FL 33595
Phone No.: 813.659.9197
FBPE Registry No. 9813

PRODUCT:
THERMA-TRU
FIBERGLASS DOOR

PART OR ASSEMBLY:
VERTICAL CROSS
SECTIONS (THRESHOLDS)

NO.	DATE	REVISIONS
4	8/22/23	UPDATE TO 8TH ED. (2023) FBC LFS
3	7/16/20	UPDATE TO 7th ED (2020) FBC PO
2	10/09/18	REV. DOOR PANEL OPTION NOTE MT
1	10/15/17	ADD DEADBOLT 5-1/2" O. C. JK AND RECESSED PANEL NOTATION

DATE: 12/19/16
SCALE: N.T.S.
DWG. BY: JK
CHK. BY: LFS
DRAWING NO.: FL-21138.10
SHEET 7 OF 12



JAMB TO HEAD DETAIL
(TYP.)

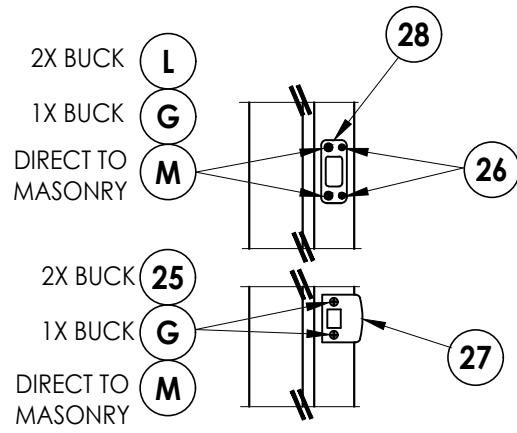
NO.	DATE	REVISIONS
4	8/22/23	UPDATE TO 8TH ED. (2023) FBC LFS
3	7/16/20	UPDATE TO 7th ED (2020) FBC PO
2	10/09/18	REV. DOOR PANEL OPTION NOTE MT
1	10/15/17	ADD DEADBOLT 5-1/2" O. C. JK AND RECESSED PANEL NOTATION

DATE: 12/19/16
 SCALE: N.T.S.
 DWG. BY: JK
 CHK. BY: LFS
 DRAWING NO.: FL-21138.10
 SHEET 8 OF 12

PRODUCT: THERMA-TRU FIBERGLASS DOOR
 PART OR ASSEMBLY: BUCK AND FRAME ANCHORING

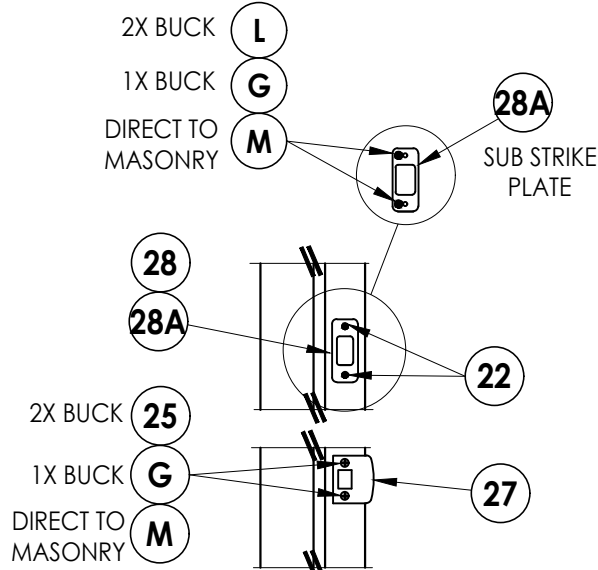
Documents Prepared By:
 Lyndon F. Schmidt
 P.E. No. 43409

RW BUILDING CONSULTANTS, INC.
 P.O. Box 230, Vairico, FL 33595
 Phone No.: 813.659.9197
 FBPE Registry No. 9813



LATCH & DEADBOLT DETAIL

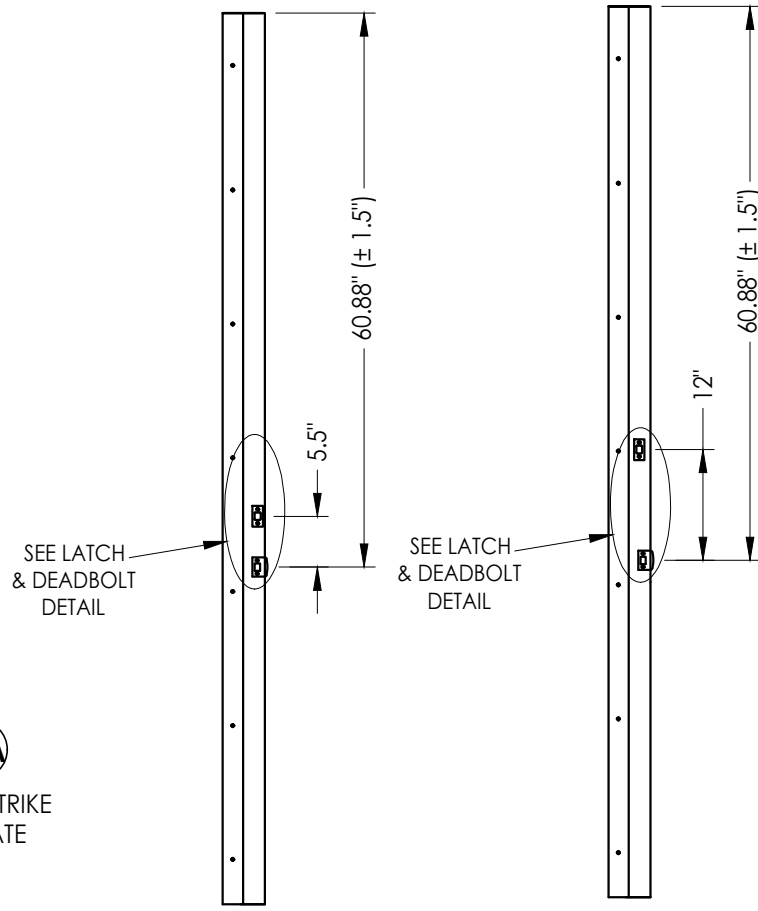
Kwikset



LATCH & DEADBOLT DETAIL

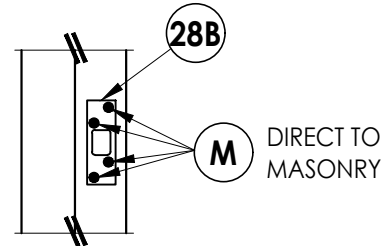
Schlage

LATCH & DEADBOLT STRIKE DETAILS

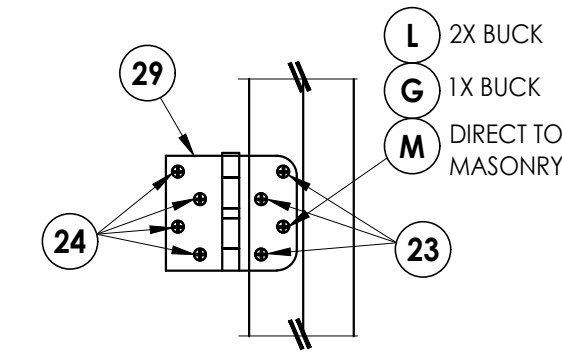


STRIKE JAMB
Latch and Deadbolt
5-1/2" ON CENTER

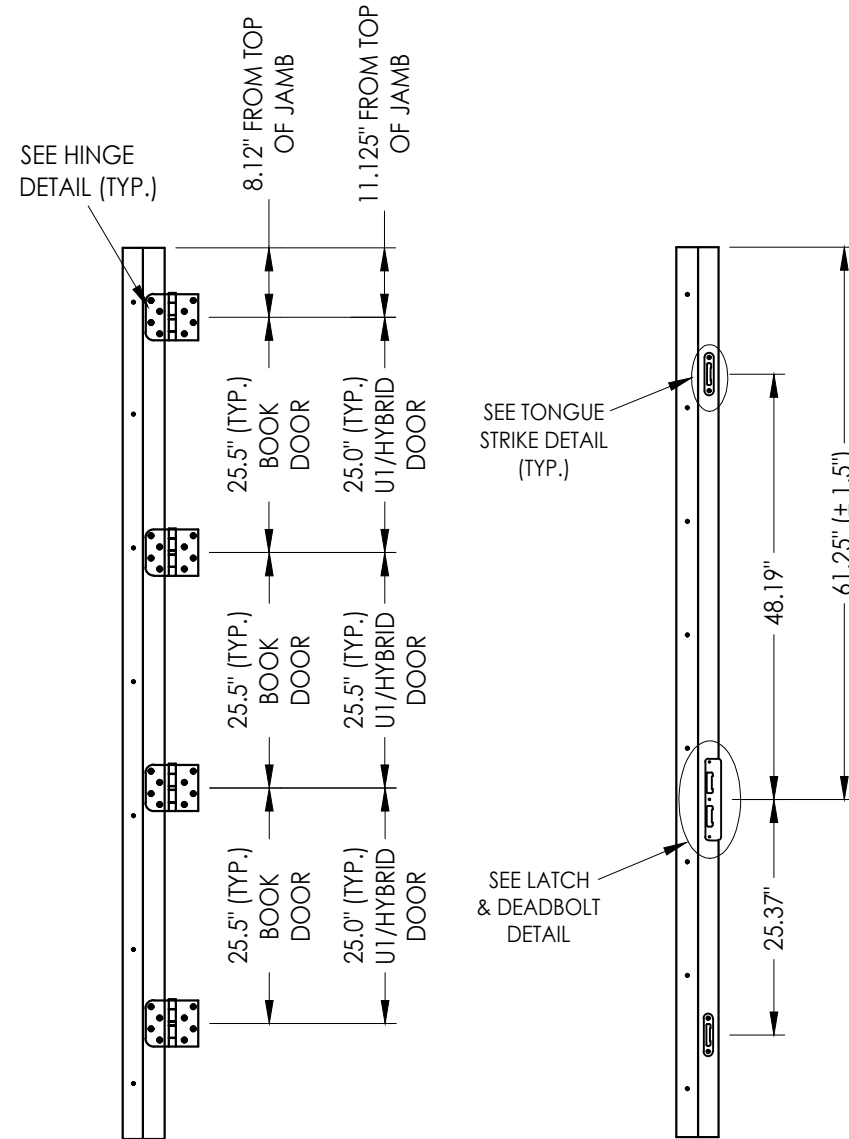
STRIKE JAMB
Latch and Deadbolt



DEADBOLT STRIKE DETAILS
(Security Deadbolt Strike Plate)

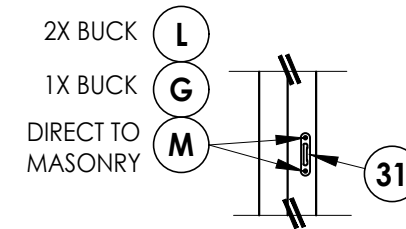


HINGE DETAIL

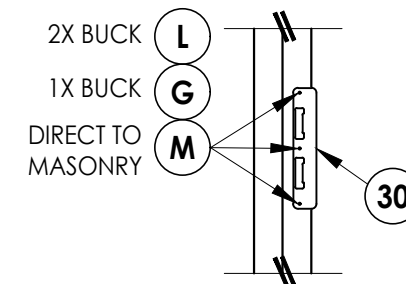


HINGE JAMB

STRIKE JAMB
Multipoint Lock



TONGUE STRIKE DETAIL
Multipoint Lock



LATCH & DEADBOLT DETAIL
Multipoint Lock

MULTIPOINT LOCK STRIKE DETAILS

Documents Prepared By:
Lyndon F. Schmidt
P.E. No. 43409

RW BUILDING CONSULTANTS, INC.
P.O. Box 230, Valrico, FL 33595
Phone No.: 813.659.9197
FBPE Registry No. 9813

PRODUCT: THERMA-TRU
FIBERGLASS DOOR

PART OR ASSEMBLY:
HARDWARE DETAILS

NO.	DATE	REVISIONS
4	8/22/23	UPDATE TO 8TH ED. (2023) FBC
3	7/16/20	UPDATE TO 7TH ED. (2020) FBC
2	10/09/18	REV. DOOR PANEL OPTION NOTE
1	10/15/17	ADD DEADBOLT 5-1/2" O. C. AND RECESSED PANEL NOTATION

DATE: 12/19/16

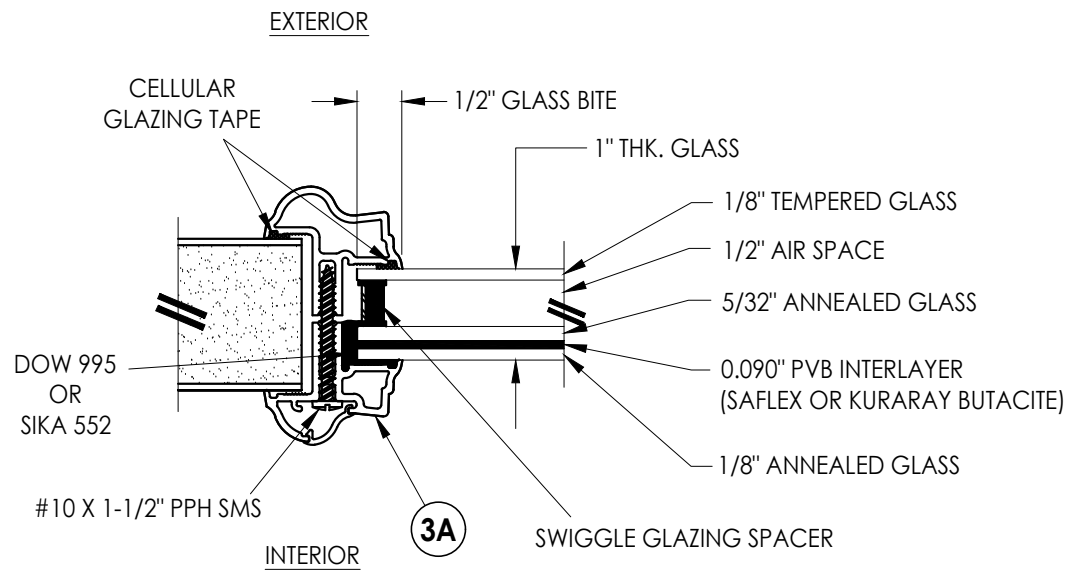
SCALE: N.T.S.

DWG. BY: JK

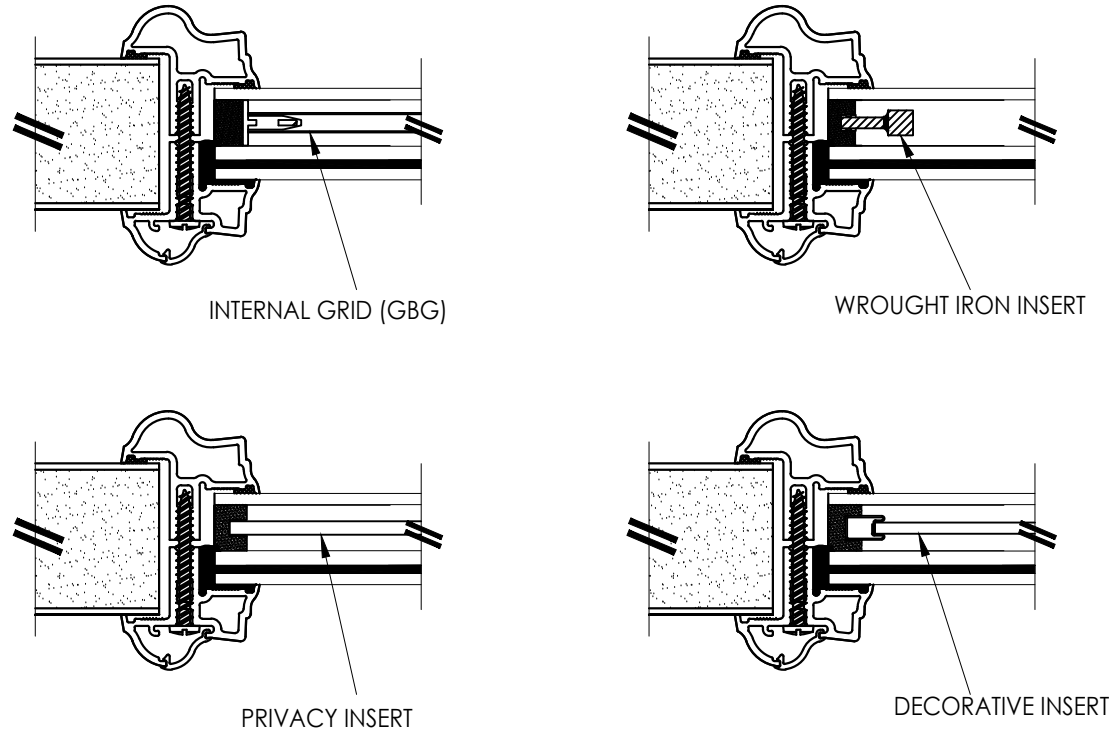
CHK. BY: LFS

DRAWING NO.: FL-21138.10

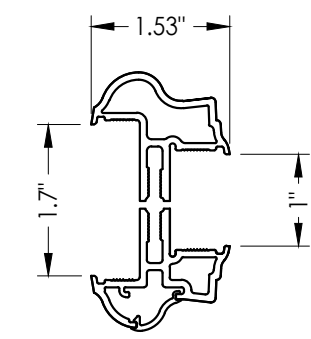
SHEET 9 OF 12



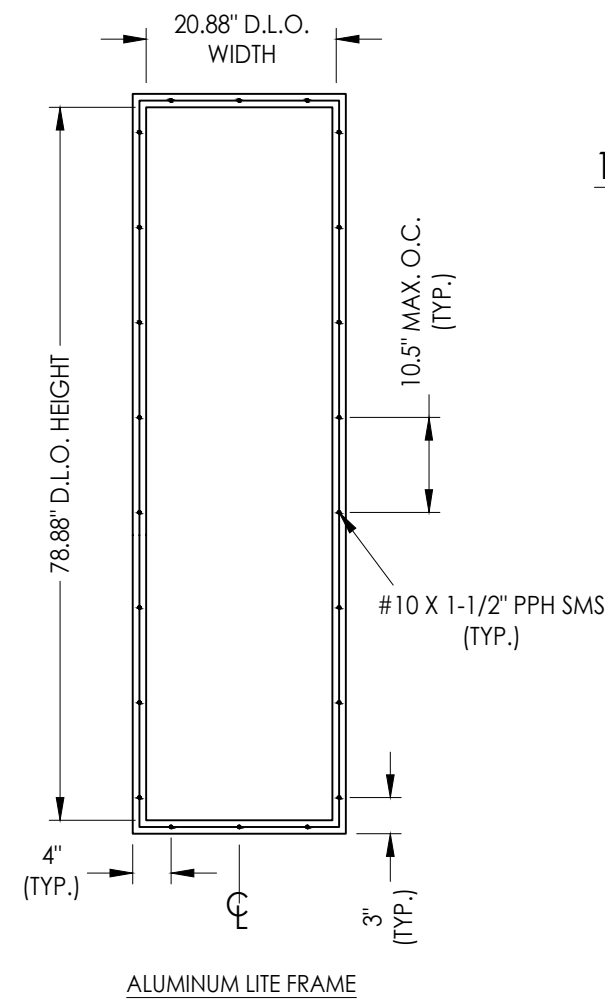
G1 GLAZING DETAIL
Aluminum Impact Lite Frame
Door Panels & Sidelites



1" LAMINATED INSULATED IMPACT GLASS INSERT OPTIONS



3A ALUMINUM FRAME
Aluminum Impact Lite Frame
Door Panels & Sidelites



Documents Prepared By:
Lyndon F. Schmidt
P.E. No. 43409

RW BUILDING CONSULTANTS, INC.
P.O. Box 230, Valrico, FL 33595
Phone No.: 813.659.9197
FBPE Registry No. 9813

PRODUCT:
THERMA-TRU
FIBERGLASS DOOR

PART OR ASSEMBLY:

GLAZING DETAILS

NO.	DATE	REVISIONS
4	8/22/23	UPDATE TO 8TH ED. (2023) FBC LFS
3	7/16/20	UPDATE TO 7th ED (2020) FBC PO
2	10/09/18	REV. DOOR PANEL OPTION NOTE MT
1	10/15/17	ADD DEADBOLT 5-1/2" O. C. JK AND RECESSED PANEL NOTATION

DATE: 12/20/16

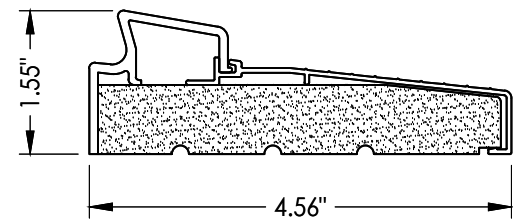
SCALE: N.T.S.

DWG. BY: JK

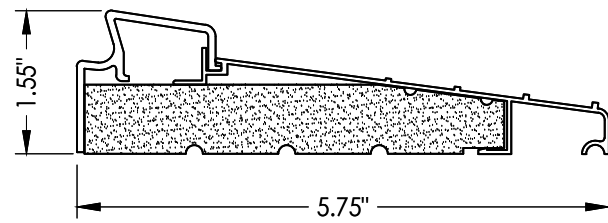
CHK. BY: LFS

DRAWING NO.: FL-21138.10

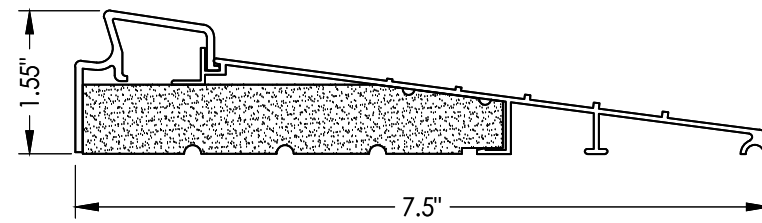
SHEET 10 OF 12



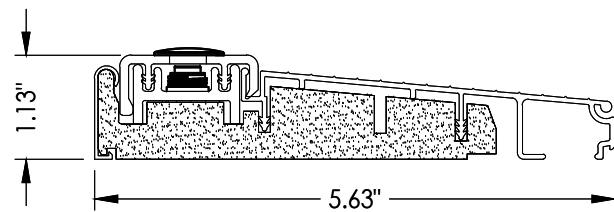
33 INSWING THRESHOLD
Inswing Basic Fixed Sill



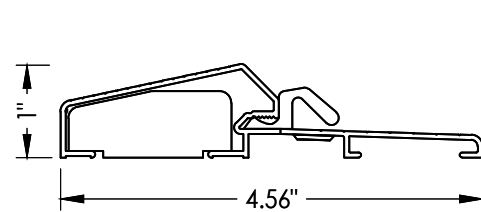
36 INSWING THRESHOLD
Inswing Basic Fixed 5-3/4" Sill



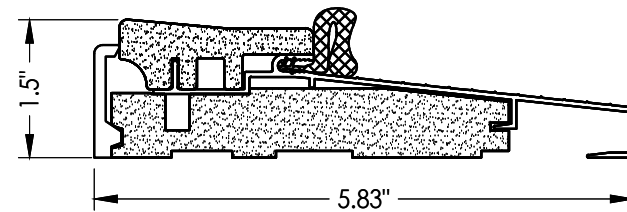
37 INSWING THRESHOLD
Inswing Basic Fixed 7-1/2" Sill



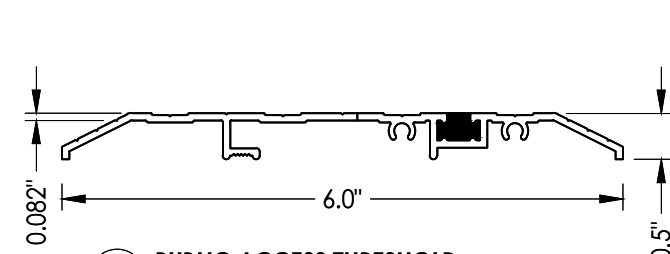
39 INSWING THRESHOLD
Inswing Composite Adjustable Sill



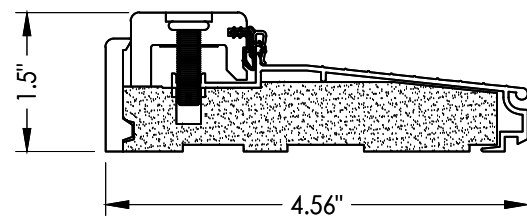
17 OUTSWING THRESHOLD
Composite / Aluminum Sill



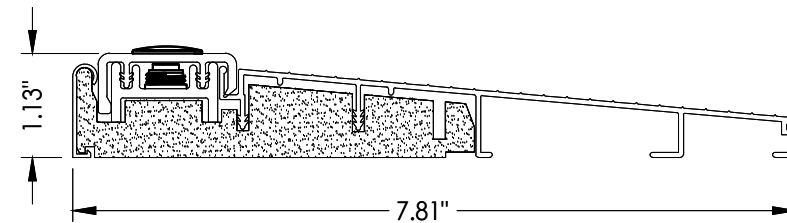
16 OUTSWING THRESHOLD*
Composite / Aluminum Sill



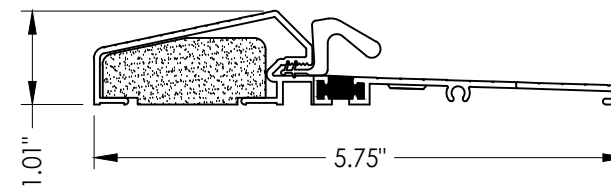
15 PUBLIC ACCESS THRESHOLD



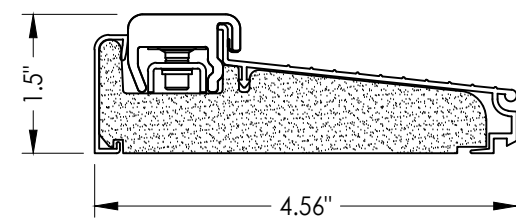
38 INSWING THRESHOLD
Inswing Composite Adjustable Sill



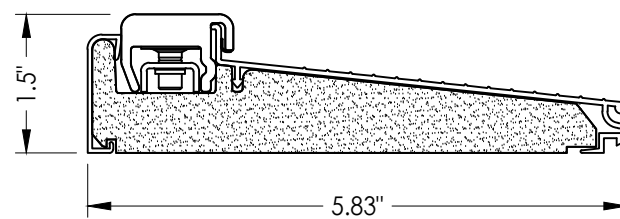
32 INSWING THRESHOLD
Inswing Composite Adjustable 7-3/4" Sill



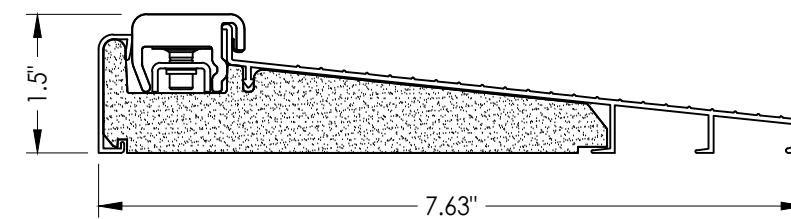
18 OUTSWING THRESHOLD
Composite / Aluminum Sill
(Thermal Break)



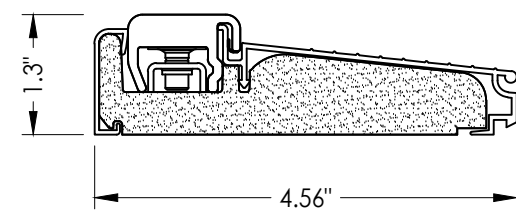
50 INSWING THRESHOLD
Inswing Composite Adjustable Sill
Book, Hybrid



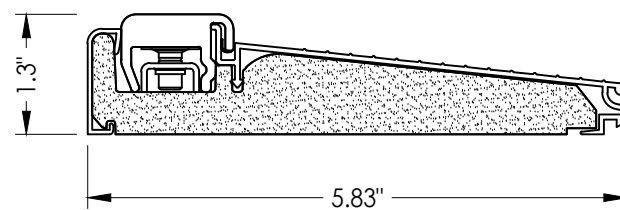
51 INSWING THRESHOLD
Inswing Composite Adjustable Sill
Book, Hybrid



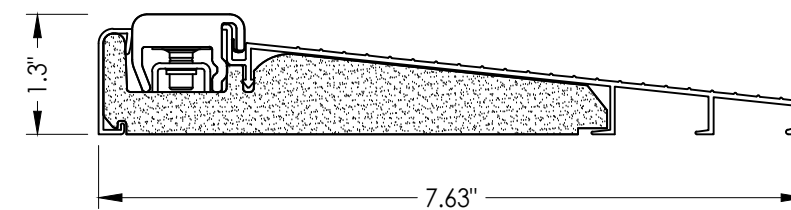
52 INSWING THRESHOLD
Inswing Composite Adjustable Sill
Book, Hybrid



53 INSWING THRESHOLD
Inswing Composite Adjustable Sill
U1



54 INSWING THRESHOLD
Inswing Composite Adjustable Sill
U1



55 INSWING THRESHOLD
Inswing Composite Adjustable Sill
U1

Documents Prepared By:
Lyndon F. Schmidt
P.E. No. 43409

RW BUILDING CONSULTANTS, INC.
P.O. Box 230, Vairico, FL 33595
Phone No.: 813.659.9197
FBPE Registry No. 9813

PRODUCT: THERMA-TRU FIBERGLASS DOOR
PART OR ASSEMBLY: COMPONENTS

NO.	DATE	REVISIONS
4	8/22/23	UPDATE TO 8TH ED. (2023) FBC
3	7/16/20	UPDATE TO 7th ED (2020) FBC
2	10/09/18	REV. DOOR PANEL OPTION NOTE
1	10/15/17	ADD DEADBOLT 5-1/2" O. C. AND RECESSED PANEL NOTATION

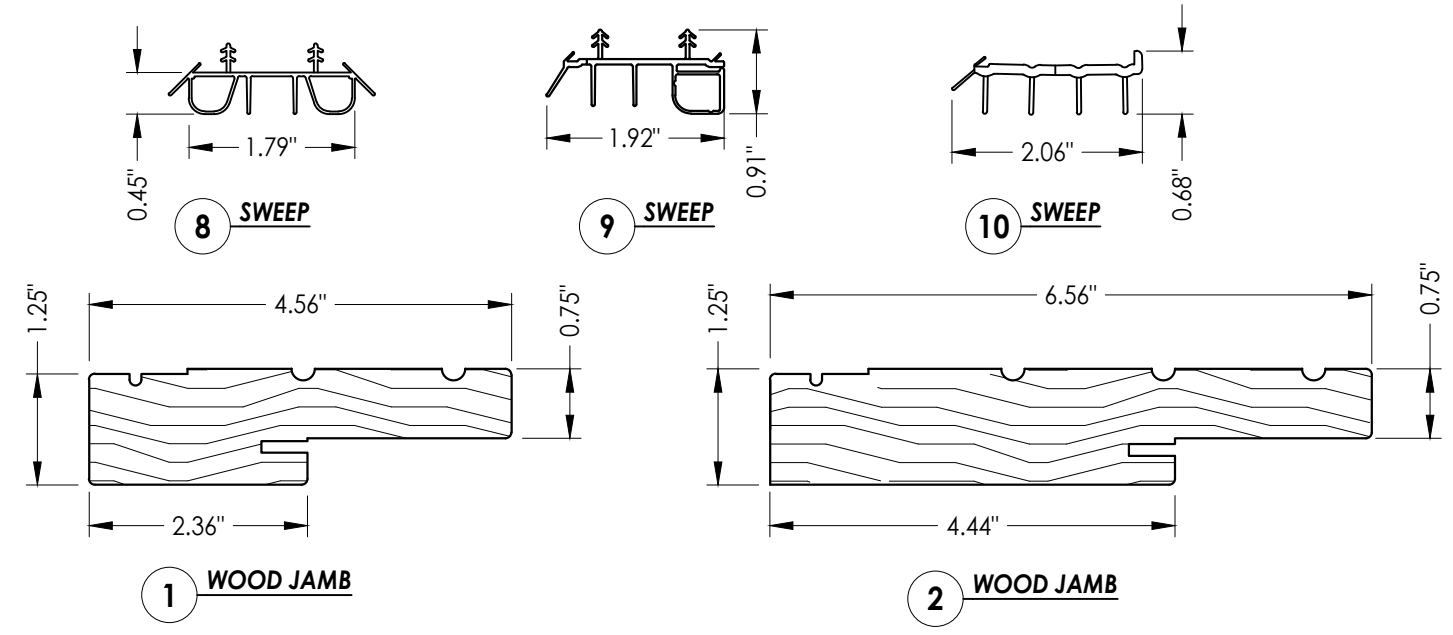
DATE: 12/19/16
SCALE: N.T.S.
DWG. BY: JK
CHK. BY: LFS
DRAWING NO.: FL-21138.10
SHEET 11 OF 12

BILL OF MATERIALS

ITEM #	DESCRIPTION	MATERIAL
A	1X BUCK (SG >= 0.42)	WOOD
B	2X BUCK (SG >= 0.42)	WOOD
C	1/4" MAX. SHIM SPACE	-
D	1/4" X 2-3/4" PFH DeWALT OR ITW CONCRETE SCREW	STEEL
E	MASONRY - 3,000 PSI MIN. CONCRETE CONFORMING TO ACI 301 OR HOLLOW BLOCK CONFORMING TO ASTM C90	CONCRETE
G	3/16" X 3-1/4" ITW CONCRETE SCREW	STEEL
J	1/4" X 3-3/4" PFH DeWALT OR ITW CONCRETE SCREW	STEEL
L	#10 X 2-1/2" PFH WOOD SCREW (1.15" MIN. EMBEDMENT)	STEEL
M	3/16" X 2-1/4" ITW CONCRETE SCREW	STEEL
N	3/16" X 2-3/4" ITW CONCRETE SCREW	STEEL
1	JAMB (FINGER JOINT PINE)	WOOD
2	JAMB (FINGER JOINT PINE)	WOOD
6	WEATHERSTRIP (MEDIUM REACH)	FOAM
7	WEATHERSTRIP (LONG REACH)	FOAM
8	SWEEP	VINYL
9	SWEEP	VINYL
10	SWEEP (USE w/ PUBLIC ACCESS THRESHOLD)	VINYL
15	PUBLIC ACCESS THRESHOLD	ALUM
16	OUTSWING THRESHOLD	ALUM/COMP
17	OUTSWING THRESHOLD	ALUM/COMP
18	OUTSWING THRESHOLD	ALUM/COMP
22	#8 x 3/4" PFH WOOD SCREW	STEEL
23	#10 x 3/4" PFH WOOD SCREW	STEEL
24	#10 x 1" PFH WOOD SCREW	STEEL

BILL OF MATERIALS

ITEM #	DESCRIPTION	MATERIAL
25	#8 x 2-1/2" PFH WOOD SCREW	STEEL
26	#8 x 5/8" PFH WOOD SCREW	STEEL
27	LATCH STRIKE PLATE	STEEL
28	DEADBOLT STRIKE PLATE (STANDARD)	STEEL
28A	DEADBOLT SUB STRIKE PLATE	STEEL
28B	DEADBOLT STRIKE PLATE (SECURITY)	STEEL
29	4" X 4" HINGE	STEEL
30	LATCH & DEADBOLT STRIKE PLATE (TONGUE SYSTEM)	ALUM/COMP
31	MULTIPOINT STRIKE PLATE (TONGUE SYSTEM)	ALUM/COMP
32	INSWING THRESHOLD	ALUM/COMP
33	INSWING THRESHOLD	ALUM/COMP
36	INSWING THRESHOLD	ALUM/COMP
37	INSWING THRESHOLD	ALUM/COMP
38	INSWING THRESHOLD	ALUM/COMP
39	INSWING THRESHOLD	ALUM/COMP
40	DOOR PANEL (BOOK)	-
41	DOOR PANEL (HYBRID)	-
42	DOOR PANEL (U1)	-
50	INSWING THRESHOLD	ALUM/COMP
51	INSWING THRESHOLD	ALUM/COMP
52	INSWING THRESHOLD	ALUM/COMP
53	INSWING THRESHOLD	ALUM/COMP
54	INSWING THRESHOLD	ALUM/COMP
55	INSWING THRESHOLD	ALUM/COMP



CONCRETE ANCHOR NOTES:

- Concrete anchor locations at the corners may be adjusted to maintain the min. edge distance to mortar joints.
- Concrete anchor locations noted as "MAX. ON CENTER" must be adjusted to maintain the min. edge distance to mortar joints, additional concrete anchors may be required to ensure the "MAX. ON CENTER" dimension are not exceeded.
- Concrete anchor table:

ANCHOR TYPE	ANCHOR SIZE	MIN. EMBEDMENT	MIN. CLEARANCE TO MASONRY EDGE	MIN. CLEARANCE TO ADJACENT ANCHOR
ITW TAPCON®	1/4"	1-1/4"	2"	4"
DeWALT ULTRACON®	1/4"	1-1/4"	1"	4"
ITW TAPCON®	3/16"	1-1/4"	AS SHOWN	1-1/2"

WOOD SCREW INSTALLATION NOTES:

- Maintain a minimum 5/8" edge distance, 1" end distance, & 1" o.c. spacing of wood screws to prevent the splitting of wood.

Documents Prepared By:
Lyndon F. Schmidt
P.E. No. 43409

RW BUILDING CONSULTANTS, INC.
P.O. Box 230, Vairico, FL 33595
Phone No.: 813.659.9197
FBPE Registry No. 9813

PRODUCT: THERMA-TRU FIBERGLASS DOOR
PART OR ASSEMBLY: COMPONENTS & BILL OF MATERIALS

	LFS	PO	MT	JK	BY
8/22/23	UPDATE TO 8TH ED. (2023)	FBC			
7/16/20	UPDATE TO 7th ED (2020)	FBC			
10/09/18	REV. DOOR PANEL OPTION NOTE				
10/15/17	ADD DEADBOLT 5-1/2" O. C. AND RECESSED PANEL NOTATION				
NO.	DATE	REVISIONS			

DATE: 12/19/16
SCALE: N.T.S.
DWG. BY: JK
CHK. BY: LFS
DRAWING NO.: FL-21138.10
SHEET 12 OF 12